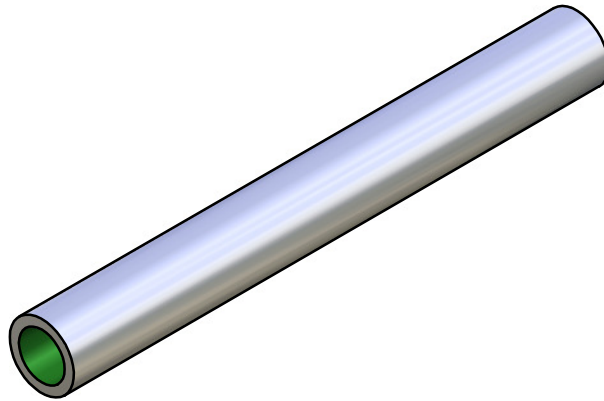
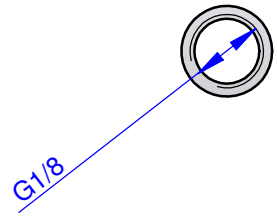
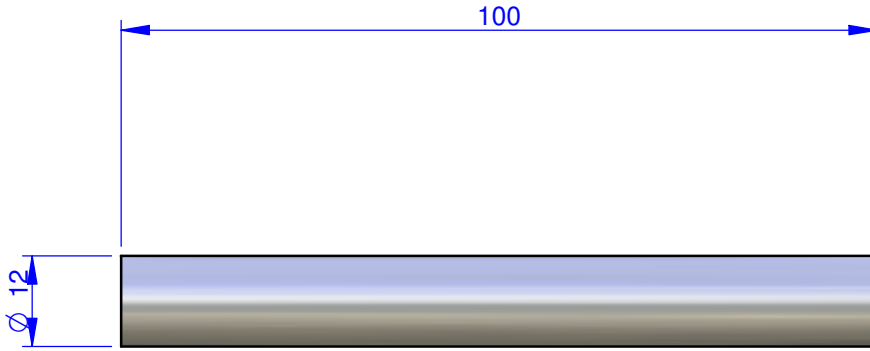


THE PROPERTY OF THIS DRAWING IS ESTABLISHED BY LAW  
IT IS FORBIDDEN TO REPRODUCE IT OR SHOW IT TO THIRD PARTY  
WITHOUT A WRITTEN AGREEMENT.



MODIFICATIONS: VARIED DIMENSIONS AS OF DATE:

7. \_\_\_\_\_ 10. \_\_\_\_\_  
8. \_\_\_\_\_ 11. \_\_\_\_\_  
9. \_\_\_\_\_ 12. \_\_\_\_\_

MODIFICATIONS: VARIED DIMENSIONS AS OF DATE:

1. \_\_\_\_\_ 4. \_\_\_\_\_  
2. \_\_\_\_\_ 5. \_\_\_\_\_  
3. \_\_\_\_\_ 6. \_\_\_\_\_

**FP** Services



DESIGNED FROM  
FPSERVICES

DATE 07/2013 WEIGHT 0,015 kg

CODE  
**CA.09.12.001**

Format A4  
UNI 936-76

GENERAL TOLERANCE:  
UNI - ISO 2768  
CLASSE f

DESCRIPTION

